

SPECIFICATIONS

DESCRIPTION:

The bollard shall be cast iron construction with an octagonal and circular shape. The bollard shall be provided with a decorative cast aluminum dome top.

MATERIALS:

The bollard shall be ASTM-A48 Class 30 cast iron. The dome top shall be heavy cast aluminum produced from certified ASTM 356.1 ingot per ASTM B179-95a or ASTM B26-95. The castings shall be formed true to the pattern with complete detail. All hardware shall be stainless steel. All exposed hardware shall be tamper resistant. Anchor bolts to be completely hot-dip galvanized. Attaching hardware shall be stainless steel with stainless steel acorn caps.

CONSTRUCTION:

The bollard shall be made from a one-piece casting with the cast aluminum dome top being permanently, mechanically attached.

DIMENSIONS:

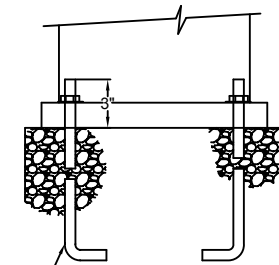
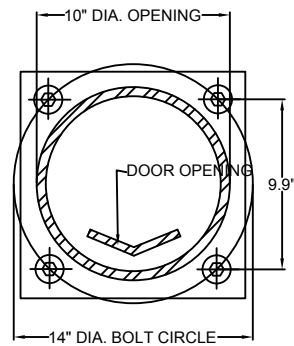
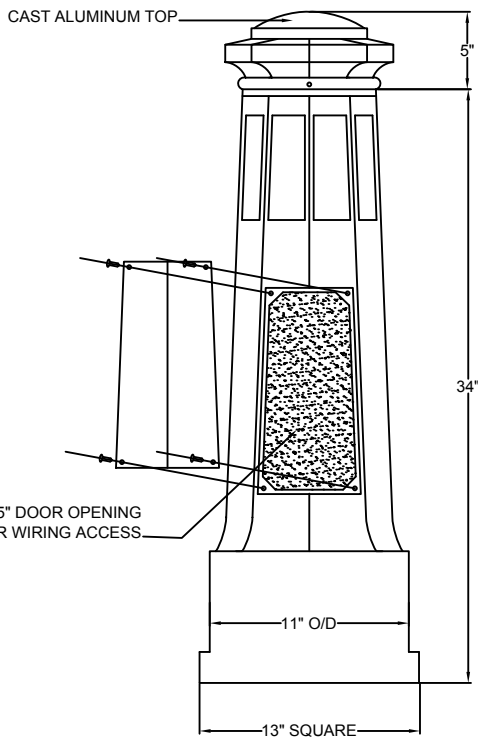
The bollard shall be 3'-3" in height with a 13" square base.

INSTALLATION:

The bollard shall be provided with four 1/2" diameter by 18" long, hot-dip galvanized, L-type anchor bolts to be installed on a 14" diameter bolt circle. An access door shall be provided in the base.

COLOR:

Black (ANBK)



1/2" O/D X 18" HOT DIP GALVANIZED L-TYPE ANCHOR BOLTS (4 PER POST). ATTACHING HARDWARE SHALL BE STAINLESS STEEL WITH STAINLESS STEEL ACORN CAPS

RECOMMENDED VENDOR:
 ANTIQUE Street Lamps 2011-B
 RUNDBERG LN. AUSTIN, TEXAS
 78758 (512) 977-8444 NAVAL
 ACADEMY BOLLARD MODEL
 NUMBER BCI BNA13 ANBK



CITY OF WHEAT RIDGE

DEPT. OF PUBLIC WORKS
 ENGINEERING DIVISION

APPROVED BY: SNN 06/07

S-BOLLARD.NAVAL

NAVAL ACADEMY BOLLARD
 DETAIL

DETAIL
 CODE

S