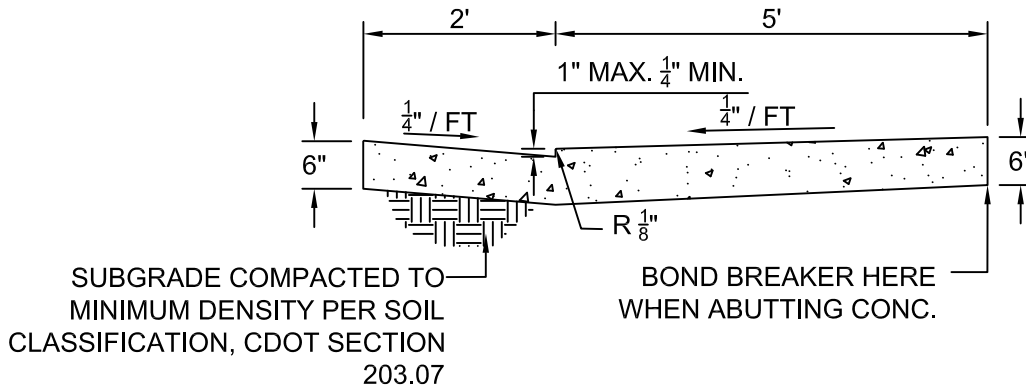


NOTE:

CONTRACTION JOINTS REQUIRED
AT MAXIMUM 5' SPACING

MEASUREMENT: NOT MEASURED
PAYMENT: SAME AS MS4



DEPRESSED CURB WITH SIDEWALK (DS) SECTION