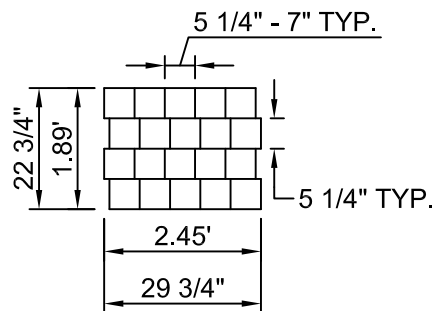


TYPICAL SIDEWALK SECTION



PATTERN CONCRETE DETAIL

1. PATTERN: WINDSOR COBBLE PATTERN BY BRICKFORM OR APPROVED EQUAL
2. COLOR: BRICK RED, CONCRETE COLOR TO BE FULL DEPTH
3. SEALING AGENT: BRICKFORM MATERSEAL
4. RELEASE AGENT: BRICKFORM RA-600 LIGHT GRAY
5. A 4' X 4' TEST SECTION IS REQUIRED TO BE PLACED SUBJECT TO REVIEW & APPROVAL BY THE CITY INSPECTOR PRIOR TO PLACEMENT OF ANY PERMANENT PATTERN CONCRETE. COST OF THIS TEST SECTION SHALL BE CONSIDERED INCIDENTAL TO THE PROJECT COST.
6. PATTERN CONCRETE CAN NOT BE IN THE PEDESTRIAN TRAVEL PATH.